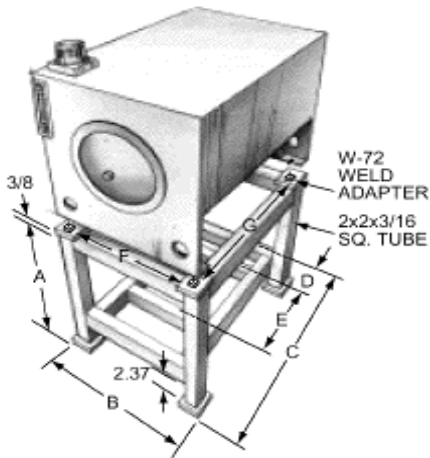


## RESERVOIRS AND ACCESSORIES

### IMPORTANT FEATURES:

- ◆ Flow Ezy reservoirs meet or exceed all J.I.C and ASLE Standards.
- ◆ Scale free welding process is used.
- ◆ All Flow Ezy reservoirs are fabricated from hot rolled steel plate and sheet, pickled, and oiled, which eliminates the need for sandblasting and subsequent residue.
- ◆ Fixed baffle properly slotted for correct oil circulation.
- ◆ Single bolt end caps sized for maximum cleanout opening.
- ◆ Flow Ezy sight level gauge is plated and has extra large sight area with nonbreakable 2X magnifier.
- ◆ Combination oil level and temperature gauge is standard. Temperature gauge features readings in centigrade and Fahrenheit.
- ◆ Special duty and high temperature level gauge available as an option.
- ◆ Flow Ezy filler-breather assembly is plated and guarded. It has a noncorrosive nylon strainer. Ten times the amount of airflow as comparable units now available.
- ◆ Four 2-1/4" diameter lift holes.

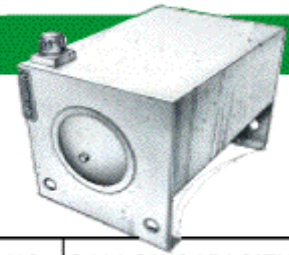


### ELEVATED RESERVOIR STANDS

- ◆ Hydraulic reservoir stands for mounting standard J.I.C. type reservoirs over the pump and motor.
- ◆ Provides a positive feed to the pump.
- ◆ May be stacked for greater floor space saving. Standard units available for Flow Ezy J.I.C. type reservoirs from 10 to 200 gallon capacity.
- ◆ Easy reservoir mounting.
- ◆ Motor/pump mounting plate supports located per your requirements.
- ◆ Optional drip pans available.

### MOUNTING PLATES

PART NO.	AA	BB	CC	DD	THICKNESS	MAX FR	HOLES
MP-1	12.0	7.0	9.50	24.0	3/4	254	3
MP-2	13.0	9.0	11.50	30.0	1	286	3
MP-3	16.0	11.0	15.0	36.0	1-1/4	365	5



These units are up to 17% less than our J.I.C. reservoirs. They will be identical to the WC J.I.C. reservoirs with the following exceptions:

WCE-10 thru WCE-50 – 10 ga. ends and top, end cover on one end only.

WCE-60, WCE-80, WCE-100 – 7 ga. ends 10 ga. top, end cover on both ends.

PART NO.	GALLON CAPACITY
WCE-10	10
WCE-15	15
WCE-20	20
WCE-30	30
WCE-40	40
WCE-50	50
WCE-60	60
WCE-80	80
WCE-100	100

### RESERVOIR WEIGHTS

PART NO.	LBS
WC-10-10	100
WC-15-15	125
WC-20-20	130
WC-30-30	175
WC-40-40	190
WC-50-50	195
WC-60-60	235
WC-80-80	400
WC-100	425
WC-120	540
WC-150	595
WC-200	940
WC-250	1000
WC-300	1075
MP-1	50
MP-2	100
MP-3	185

### J.I.C. RESERVOIR SPECIFICATIONS

PART NO.	WC-10-10	WC-15-15	WC-20-20	WC-30-30	WC-40-40	WC-50-50	WC-60-60	WC-80-80	WC-100	WC-120	WC-150	WC-200
GALLON	10	15	20	30	40	50	60	80	100	120	150	200
GALLON	10	15	20	30	40	50	60	80	100	120	150	200
A (L)	22	26	30	36	36	36	48	60	60	60	60	72
B (H)	20	20	20	20	22	23	21	21-1/4	24-1/4	25-5/8	30-5/8	29-3/8
C (W)	18	18	18	24	24	24	27	27	27	30	30	36
D	26	30	34	40-3/4	40-3/4	40-3/4	52-3/4	64-3/4	64-3/4	66	66	78
END COVER	12	12	12	14	14	14	14	14	14	18	18	18
ENDS	7 ga.	7 ga.	7 ga.	7 ga.	7 ga.	7 ga.	7 ga.	7 ga.	7 ga.	3/8	3/8	3/8
TOP	7 ga.	7 ga.	7 ga.	7 ga.	7 ga.	7 ga.	7 ga.	3/8	3/8	3/8	3/8	3/8