



Hazardous Location (HazLoc) Vortex A/C Coolers provide all the benefits of the Vortex A/C while providing protection in Class I Div 2, Groups A, B, C & D; Class II Div 2, Groups F&G and Class III locations.

The HazLoc Vortex A/C is UL Classified and is designed specifically for purged* electrical enclosures to provide protection to sensitive electronics in hazardous locations.

* Purge system not included with purchase

FEATURES

- UL Classified for Class I Div 2, Groups A, B, C & D; Class II Div 2, Groups F&G and Class III locations with T4 temp rating
- Type 4/4X rating
- Integrated mechanical thermostat
- Designed to be used with a purge system*
- Create true refrigeration using only compressed air
- Maintain sealed nature of NEMA and JIC boxes
- Mounts in standard electrical knockout
- Highly reliable, no moving parts
- UL Classified, File E356284

BENEFITS

- Reduces operating costs with mechanical thermostat which maintains enclosure temperatures within 75°F and 100°F (24°C - 38°C)
- Very quiet, 62 dBA operation - 78% quieter than standard vortex tube coolers
- Flexible mounting options - top, side or front (door)
- No wiring required for installation - 5 minute install
- Significantly lower up front and maintenance costs, compared to explosion proof Freon air conditioners
- Operates in environments up to 175°F (80°C)
- Multiple cooling capacities available, to optimize performance and operating cost

CASE STUDIES

The Problem: A major oil refinery in Texas was experiencing production problems due to a control panel which was very sensitive to the hot Texas sun. A low cost, reliable solution was needed in order to correct this deficiency and maintain required production levels.

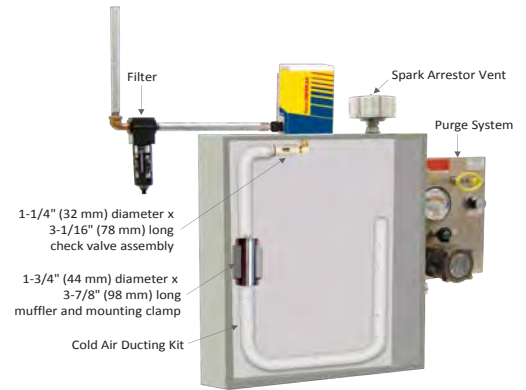
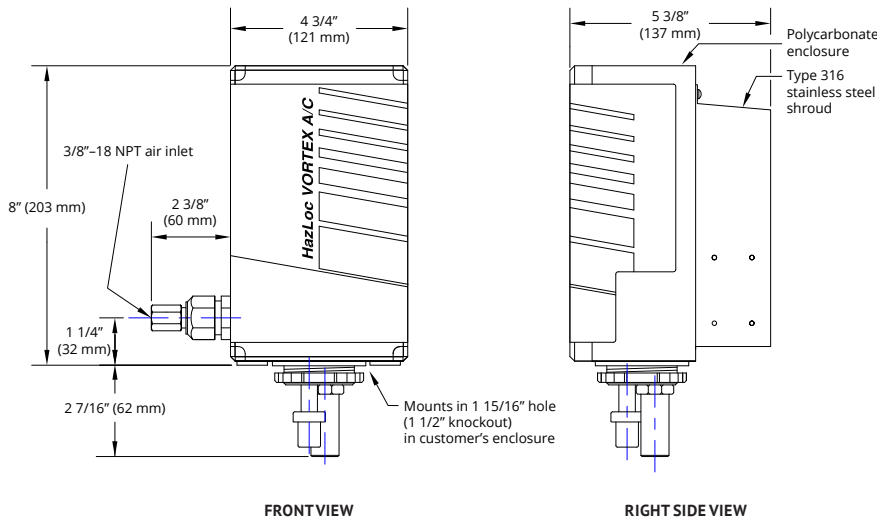
The Solution: The Maintenance Manager contacted Vortec and discussed the problem as well as the need to maintain the Class 1 Div 2 requirement. The customer stated that air conditioners were not an option as they were too costly and the maintenance requirements were too high. Vortec educated him on the HazLoc Vortex A/C and its integrated mechanical thermostat, Class 1 Div 2 certification and extremely low maintenance needs as there are no moving parts.

Conclusion: The company purchased five HazLoc units, installed them and to date, have experienced no production disruptions as well as no downtime due to maintenance needs.



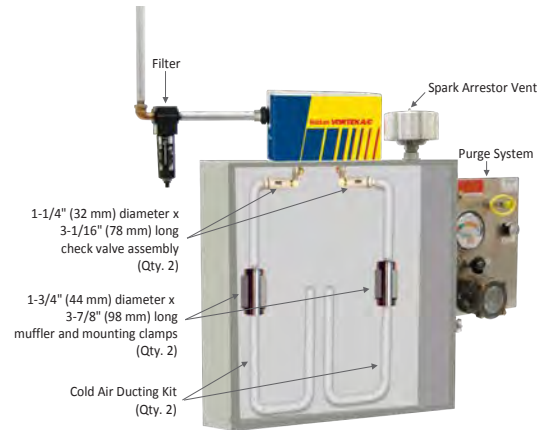
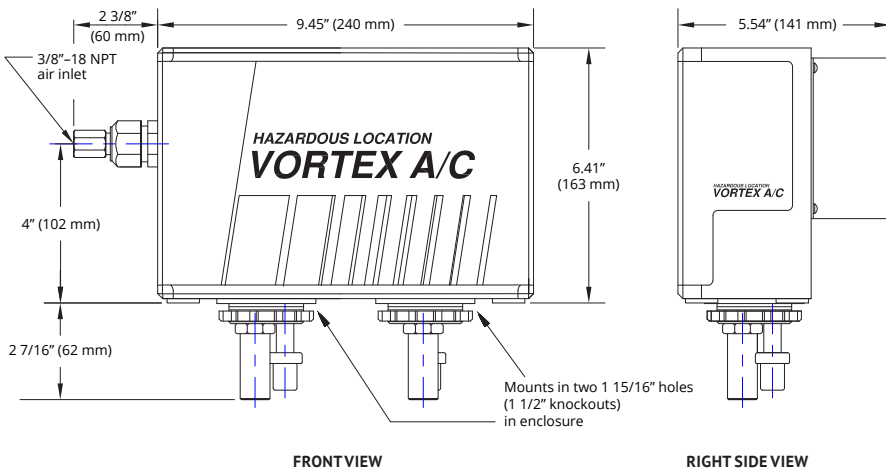
HAZLOC VORTEX A/C

75x5 HAZARDOUS LOCATION VORTEX A/C



SHOWN TOP MOUNTED ON CUSTOMER'S ENCLOSURE (PURGE SYSTEM AND SPARK ARRESTOR VENT SHOWN FOR REFERENCE, NOT INCLUDED WITH PURCHASE)

7570 HAZARDOUS LOCATION VORTEX A/C



SHOWN TOP MOUNTED ON CUSTOMER'S ENCLOSURE (PURGE SYSTEM AND SPARK ARRESTOR VENT SHOWN FOR REFERENCE, NOT INCLUDED WITH PURCHASE)

SPECIFICATIONS

Rating	Thermostat Option	Sound Level	Cooling Capacity BTU/hr (Watts)	Model
HazLoc	Mechanical	Quiet	900 (264)	7515
			1500 (440)	7525
			2500 (733)	7535
			5000 (1465)	7570*

* Model 7570 is a two-stage Cooler. To conserve energy, during low periods of heatload, only one stage is activated via mechanical thermostat.